



**INSTRUCTION MANUAL FOR
'AS' PROTOCOL
ADDRESSABLE SOUNDERS**

No: NISM/ADDSDR/04	
DATE: OCTOBER 2001	
PAGE: 1 of 7	ISSUE: 04

CONTENTS

'AS' PROTOCOL ADDRESSABLE SOUNDERS

Contents - - - - -	Page 1
Introduction - - - - -	Page 2
Operation - - - - -	Page 2
Dimensions (VCT-03-AS-NB) Wall Sounder with cap - - - - -	Page 3
Dimensions (VCT-03-NT-AS) Base sounder c/w STB-4 Base - - - - -	Page 3
Connection Schematics (VCT-03 Series Sounders) - - - - -	Page 4
Introduction VPR-SA2-NTAS (IP65 Addressable sounder) - - - - -	Page 5
Dimensions (VPR-SA2-NTAS, IP65 Addressable sounder) - - - - -	Page 5
Connections Schematics (VPR-SA2-NTAS, IP65 Addressable Sounder) - - - - -	Page 5
VCT-03-AS-NB Technical Specification - - - - -	Page 6
VCT-03-NT-AS Technical Specification - - - - -	Page 6
VPR-SA2-NTAS Technical Specification - - - - -	Page 7
Address Switch (DIL) Setting - - - - -	Page 7

'AS' PROTOCOL ADDRESSABLE SOUNDERS

INTRODUCTION

*This range of 'AS' Nittan protocol addressable sounders forms part of the Nittan (UK)'s **SENSORTEC-ANALOGUE** range of addressable devices.*

These addressable sounders give system designers a new, low profile designed sounder, while giving installers reduced installation time with the sounder's wide cable access entry and rising clamp terminals.

This new range of addressable sounders has been designed to replace the ST-WMS-AS wall/base mounted addressable sounder and our LFB-24-AS wall mounted addressable sounder.

Different tones are available by selecting either Warble, Sweep, or Continuous via the jumper fitted to the PCB.

A second stage alarm may be switched, via the control panel, so the Pips tone will override the tone selected.

SOUNDERS

The low current addressable sounder models are available in the following configurations:-

1) VCT-03-AS-NB: White, wall mounted addressable sounder and is available with an option red or white vector cap/plate depending on your fire system requirements.

The vector plate/cap slot-fits on to the top of the base sounder thus converting it to an attractively styled, wall mounted type sounder.

2) VCT-03-NT-AS: White, base mounted addressable sounder inclusive of a pre-wired STB-4 base.

Installation and address setting of the VCT-03-NT-AS is easily performed, there is a large address window specifically cut out of the base area of STB-4 enabling the address to be set without the need to remove the STB-4 base from the sounder.

ACCESSORIES FOR VCT RANGE OF SOUNDERS

These vector plate/caps are used together with the VCT-03-AS-NB wall mounted sounder and must be ordered together with this addressable sounder, part numbers as follows:-

VCT-03-CP-W: Spare Vector Plate/cap (White)

VCT-03-CP-R: Spare Vector Plate/cap (Red)

3) VPR-SA2-NTAS: Red, IP65, high dB output, wall mounted sounder, for further details please refer to page 5 and 7 of this instruction manual.



VCT-03-AS-NB Wall
Sounder c/w VCT-03-CP-W
white vector cover plate cap

VCT-03-NT-AS Base
Sounder c/w STB-4 Base



VPR-SA2-NTAS Wall
Sounder (I.P.65)

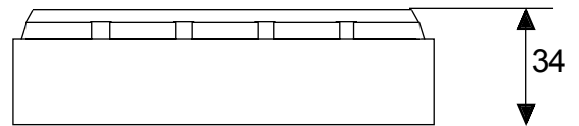
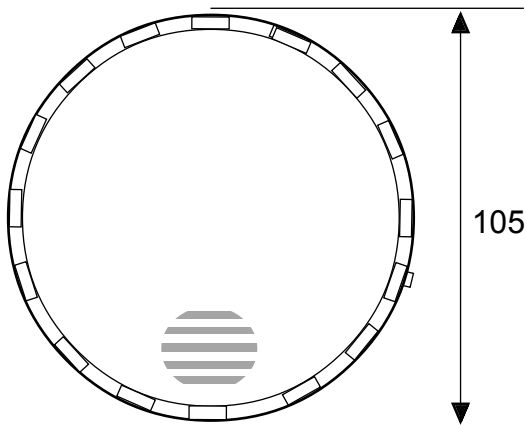
OPERATION

These sounders are connected directly to the detection signalling loop's SIG+ and -S wires, exactly as any other "AS" protocol Nittan sensor and devices.

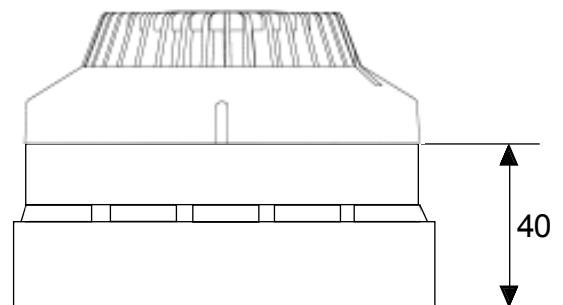
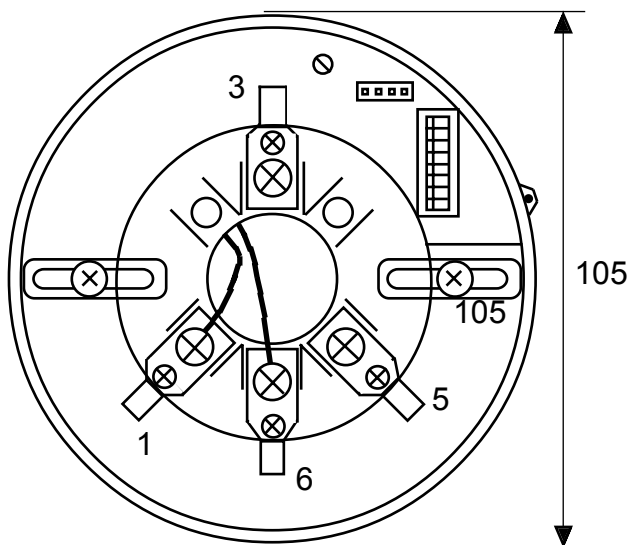
The control equipment must be capable of controlling and operating these addressable sounders. If in doubt please check with the panel manufacturer for compatibility confirmation.

DIMENSIONS (In mm's):-

VCT-03-AS-NB Wall Sounder shown with vector plate/cap

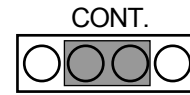
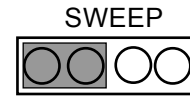
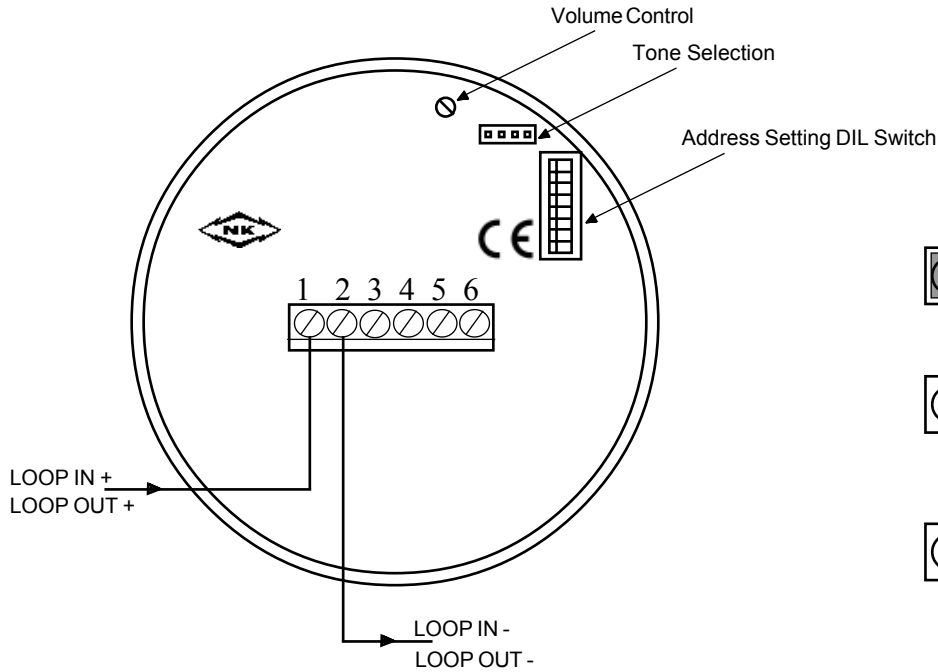


VCT-03-NT-AS Base Sounder c/w STB-4 Base



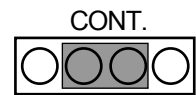
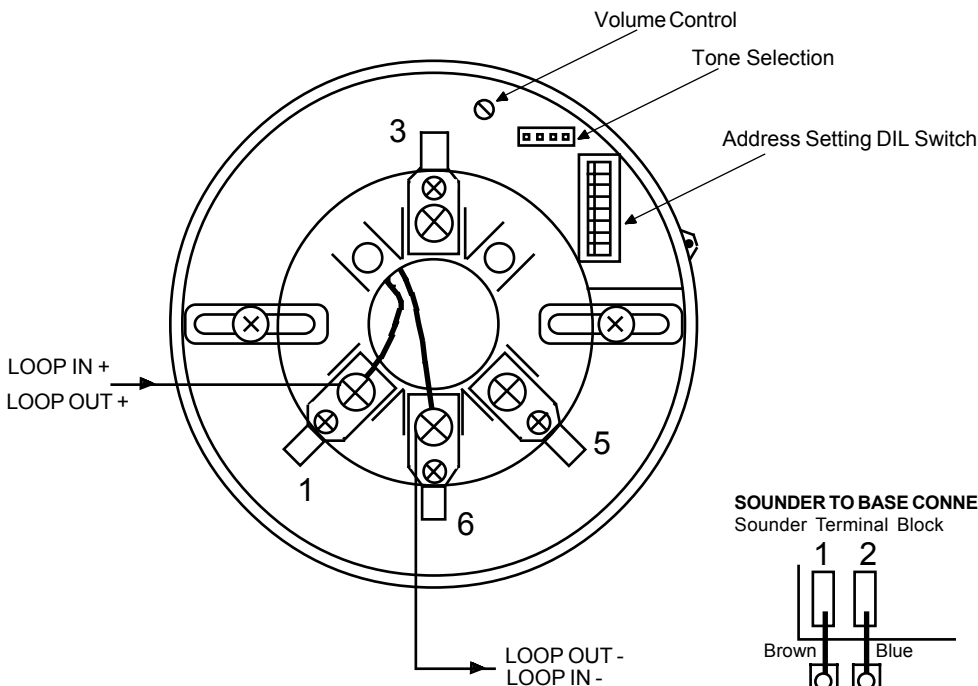
CONNECTION SCHEMATICS

VCT-03-AS-NB Wall Sounder



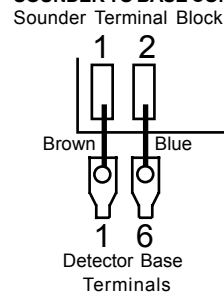
LINK/JUMPER
FOR TONE SELECTION

VCT-03-NT-AS Base Sounder



LINK/JUMPER
FOR TONE
SELECTION

SOUNDER TO BASE CONNECTIONS





INSTRUCTION MANUAL FOR 'AS' PROTOCOL ADDRESSABLE SOUNDERS

No: NISM/ADDSDR/04

DATE: OCTOBER 2001

PAGE:
5 of 7

ISSUE:
04

VPR-SA2-NTAS VIPER ADDRESSABLE IP65 ELECTRONIC SOUNDER

DESCRIPTION

The red Viper VPR-SA2-NTAS addressable 'AS' protocol, IP65 sounder has been designed for applications where low current consumption relative to high sound output is required.

With an operating frequency of 800-1000Hz each sounder provides sound within the frequency range specified in BS5839. The sounder also has a wide operating voltage range of 8-35V d.c..

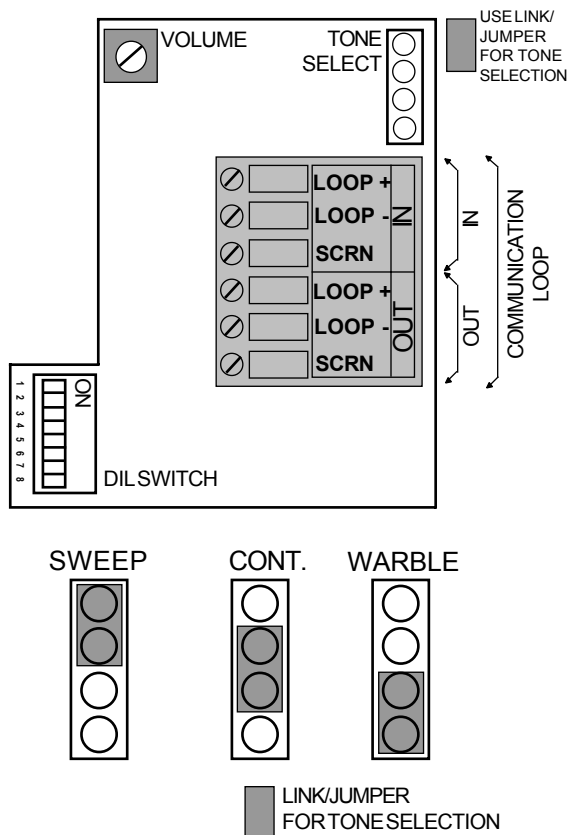
Different tones are available by selecting either Warble, Sweep, or Continuous via the jumper fitted to the PCB.

A second stage alarm may be switched, via the control panel, so the Pips tone will override the tone selected.

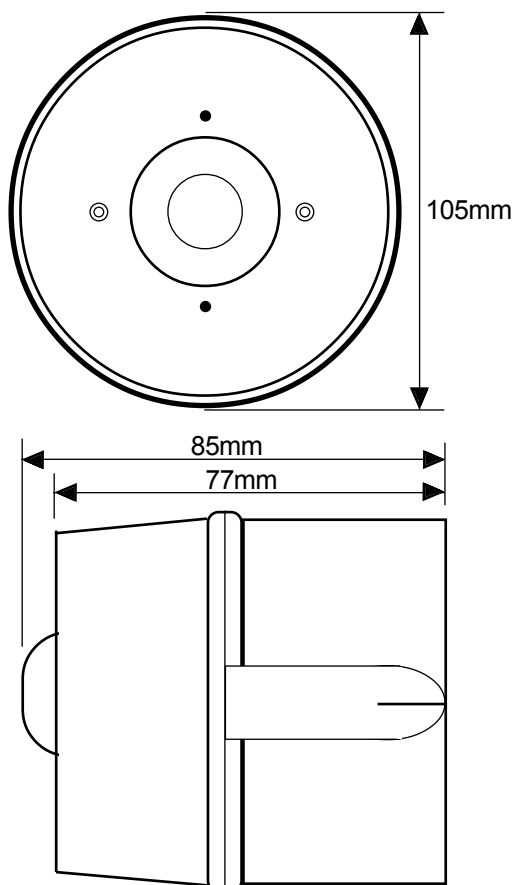
The sounder casing material is ABS and is supplied in either red or white colours. (Note white special order).

The sounder is supplied complete with its own mounting base which comes with marker points for drilling two M20 cable gland entries.

CONNECTION LAYOUT



DIMENSIONS





INSTRUCTION MANUAL FOR 'AS' PROTOCOL ADDRESSABLE SOUNDERS

No: NISM/ADDSDR/04

DATE: OCTOBER 2001

PAGE:
6 of 7

ISSUE:
04

VCT-03-AS-NB WALL MOUNTING SOUNDER TECHNICAL SPECIFICATION

Part Numbers:-

Model Number	-	VCT-03-AS-NB Sounder Only No Cap
Computer Reference Number	-	F16N*81463
Model Number	-	VCT-03-CP-W White Cap
Computer Reference Number	-	F06N*82410
Model Number	-	VCT-03-CP-R Red Cap
Computer Reference Number	-	F06N*82411

Protocol:-

Communication Protocol	-	NISM/WFM/02 (Nittan AS Protocol)
Address Setting	-	8 Bit
Type Identification Data	-	2 Bits Fixed

Ratings:-

Frequency	-	800-1000hz
Quiescent Current Consumption	-	140 μ A
Operating Alarm Current Consumption	-	9-12mA
Sound Output @ 1m	-	90dBA
Volume Control	-	-30dB
Power Supply Requirements	-	24V d.c. +/- 10%
Weight	-	210g Complete with cap
Operating Temperature	-	-10 Deg. C. to +50 Deg. C.
I.P. Rating	-	IP41
Number of Tones	-	4
Tone Types	-	Sweep, Continuous, Warble & Pips.

VCT-03-NT-AS BASE MOUNTING SOUNDER TECHNICAL SPECIFICATION

Part Numbers:-

Model Number	-	VCT-03-NT-AS c/w pre-wired STB-4 base
Computer Reference Number	-	F16N*81461

Protocol:-

Communication Protocol	-	NISM/WFM/02 (Nittan AS Protocol)
Address Setting	-	8 Bit
Type Identification Data	-	2 Bits Fixed

Ratings:-

Frequency	-	800-1000hz
Quiescent Current Consumption	-	140 μ A
Operating Alarm Current Consumption	-	9-12mA
Max. Sound Output @ 1m	-	86dB
Volume Control	-	-30dB
Power Supply Requirements	-	24V d.c. +/- 10%
Weight	-	265g sounder and STB-4 base (No sensor)
Operating Temperature	-	-10 Deg. C. to +50 Deg. C.
I.P. Rating	-	IP41
Number of Tones	-	4
Tone Types	-	Sweep, Continuous, Warble & Pips.



INSTRUCTION MANUAL FOR 'AS' PROTOCOL ADDRESSABLE SOUNDERS

No: NISM/ADDSDR/04	
DATE: OCTOBER 2001	
PAGE: 7 of 7	ISSUE: 04

VPR-SA2-NTAS ADDRESSABLE 'AS' PROTOCOL RED, WALL MOUNTING SOUNDER TECHNICAL SPECIFICATION

Part Numbers:-

Model Number	-	VPR-SA2-NTAS (Red)
Computer Reference Number	-	F16N*81466
Model Number	-	VPR-SA2-NTAS (White)
Computer Reference Number	-	TBA. For further information on the white version please contact Nittan (UK) LTD.

Protocol:-

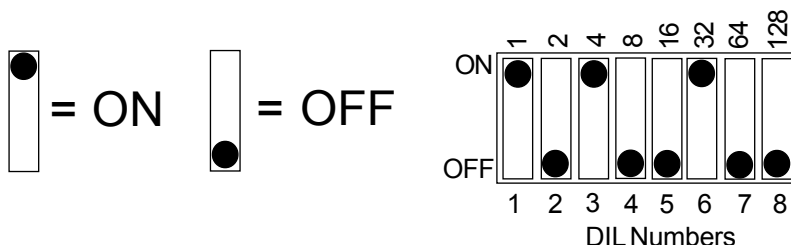
Communication Protocol	-	NISM/WFM/02 (Nittan AS Protocol)
Address Setting	-	8 Bit
Type Identification Data	-	2 Bits Fixed

Ratings:-

Frequency	-	800-1000hz
Quiescent Current Consumption	-	200µA
Operating Alarm Current Consumption	-	9-12mA
Sound Output @ 1m	-	103dBA
Volume Control	-	-30dB
Power Supply Requirements	-	24V d.c. +/- 10%
Weight	-	205g (packed)
Operating Temperature	-	-10 Deg. C. to +50 Deg. C.
I.P. Rating	-	IP65
Colour	-	Red (Standard), Option: White (Special)
Material	-	ABS
Number of Tones	-	4
Tone Types	-	Sweep, Continuous, Warble & Pips.

ADDRESS SETTING

Example: Address switch is set to 37 Decimal .



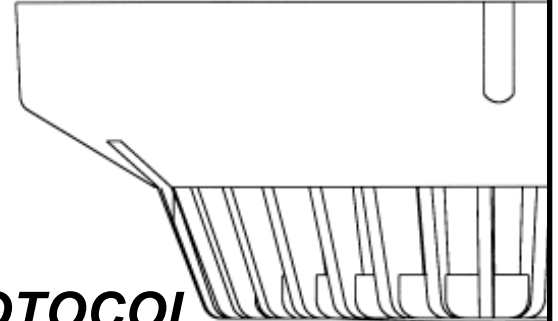
To set the sounder's address (decimal) hold the sounder with the 'ON' printed on the DIL switch pointing upwards (and at the top left position) and the 1-8 DIL numbers pointing downwards (as per the above drawing).

Select the relevant toggle switches and slide them towards the 'ON' position and set the address number required. For example, to set address 37, as shown above, slide toggle switches numbered 1 and 3 and 6 (decimal value 1 and 4 and 32 = 37) towards the 'ON' position.

Document No.: NISM/ADDSDR/04
Date: OCTOBER 2001
Issue No.: 04

From world leaders in **SENSOR TECHNOLOGY**
comes **SENSORTEC.....**

**NITTAN 'AS' PROTOCOL
BASE AND WALL MOUNTED
ADDRESSABLE SOUNDERS
INSTRUCTION MANUAL**



NITTAN (UK) LTD



Quality System Certificate No. 041
Assessed to BS EN ISO 9002

NITTAN (UK) LTD.
Hiple Street,
Old Woking,
Surrey, England,
GU22 9LQ United Kingdom

Tel: +44 (0) 1483 769555
Fax: +44 (0) 1483 756686

Web Site: www.nittan.co.uk
e-mail: sales@nittan.co.uk