



NITTAN

**ST-NCP-AS & ST-NCP-ASWP
'AS' PROTOCOL ADDRESSABLE
MANUAL CALL POINT
INSTRUCTION MANUAL**

No: NISM/STNCPAS/03

DATE: APRIL 2001

PAGE:
1 of 3

ISSUE:
03

SENSORTEC ADDRESSABLE CALL POINTS, MODELS:-ST-NCP-AS & ST-NCP-ASWP

DESCRIPTION

The ST-NCP-AS and ST-NCP-ASWP manual call points form part of the NITTAN (UK) Ltd **SENSORTEC** range of products and it is compatible with our existing 'AS' Analogue-Addressable range of devices and sensors.

Inside both the ST-NCP-AS and ST-NCP-ASWP call points there is a miniature, innovative and unobtrusive 'electronic component housing' which will allow the call point to be mounted in a variety of surface and flush mounting back boxes.

Both call points include a LED indicator on the front cover. This LED flashes to indicate correct communication with the control equipment, the LED will remain constantly illuminated when the call point is in fire condition.

OPERATION

The ST-NCP-AS and ST-NCP-ASWP call points operate on a reliable and well proven design, by releasing a concealed microswitch when the glass is broken. The glass element is pre-scored to break easily under thumb pressure and thus no striker is required. A plastic film over the surface of the glass prevents the possibility of injury caused by the release of fragments.

Each manual call point is supplied with a test key which, when inserted, simulates breaking the glass by allowing it to drop, causing actual operation of the microswitch.

The ST-NCP-AS and ST-NCP-ASWP forms part of Nittan (UK) Ltd "AS" range of analogue-addressable equipment and should only be used on suitable and compatible control panels.

If in doubt, refer to panel manufacturer for advice. Two-wire connection is required, to the loop's SIG+ and -S wires.

INSTALLATION

In accordance with the requirements of BS 5839 Part 1 and other relevant regulations.



ST-NCP-AS

ST-NCP-ASWP



SENSORTEC-ANALOGUE FAMILY:- SENSORS:-

- ST-I-AS** - Analogue Ionisation Smoke Sensor
- ST-P-AS** - Analogue Photoelectric Smoke Sensor
- ST-H-AS** - Analogue Heat Sensor
- STB-4** - Standard Base for above sensors

DEVICES:-

- ST-NCP-AS** - Addressable Call Point
- MCM-AS3** - Zone Monitor/Control Unit
- SCM-AS3** - Addressable Sounder Control Module
- NAM-AS2** - Addressable Input Module
- OCM-AS2** - Output Control Module
- SCI-5** - Base mounted Short Circuit Isolator
- SCI-6** - Plate mounted Short Circuit Isolator

ADDRESSABLE SOUNDERS:-

- VCT-NTAS-CP** - Addressable White, Wall Mounted Sounder with option Vector Plate/Cap (Red or White Vector Plate/Cap).
- VCT-03-CP(W)** - Spare Vector Plate/Cap (White)
- VCT-03-CP(R)** - Spare Vector Plate/Cap (Red)
- VCT-03-NT-AS** - Addressable Sounder c/w STB-4 Base pre-wired to the sounder.



NITTAN

**ST-NCP-AS & ST-NCP-ASWP
'AS' PROTOCOL ADDRESSABLE
MANUAL CALL POINT
INSTRUCTION MANUAL**

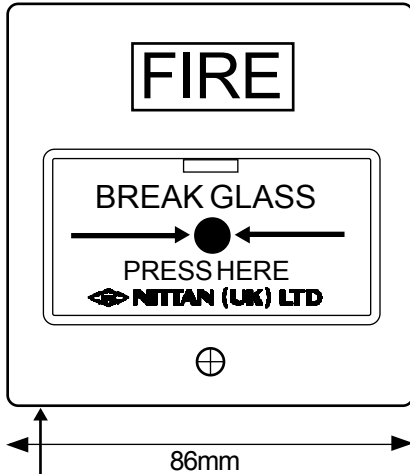
No: NISM/STNCPAS/03

DATE: APRIL 2001

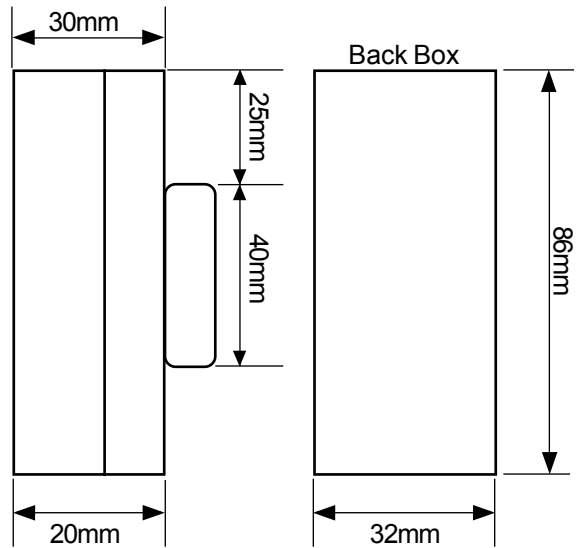
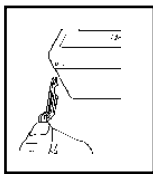
PAGE: 2 of 3

ISSUE: 03

DIMENSIONS (ST-NCP-AS)



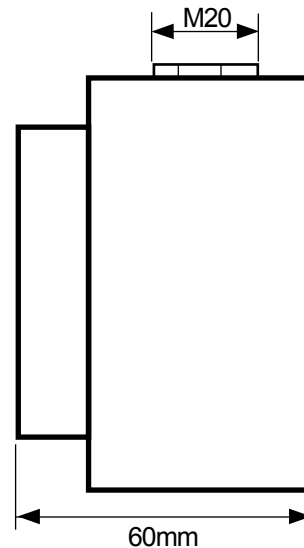
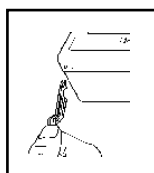
Test Key switch
location here



DIMENSIONS (ST-NCP-ASWP)



Test Key switch
location here



Note:
All dimensions in mm, drawings not to scale.



NITTAN

**ST-NCP-AS & ST-NCP-ASWP
'AS' PROTOCOL ADDRESSABLE
MANUAL CALL POINT
INSTRUCTION MANUAL**

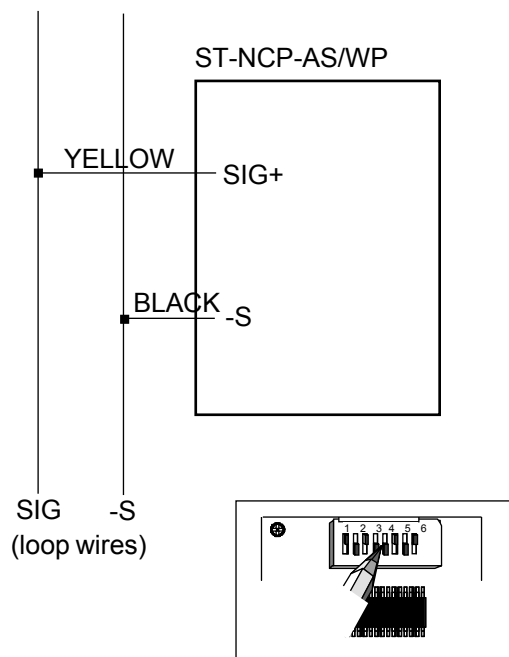
No: NISM/STNCPAS/03

DATE: APRIL 2001

PAGE: 3 of 3

ISSUE: 03

CONNECTIONS



ADDRESS SETTING

Address switch below is set to 90 Decimal (5A Hex) = OFF = ON

ADDRESS		90	
USE WITH NITTAN PROTOCOL NISM/WFM/02	ON OFF	<input checked="" type="checkbox"/>	<input type="checkbox"/>
YELLOW = SIG+ BLACK = -S		128	64 32 16 8 4 2 1
NITTAN (UK) LTD MADE IN UK	MODEL:		
PART NO.			
SERIAL NO.			

ST-NCP-AS ADDRESSABLE CALL POINT TECHNICAL SPECIFICATION

Part Numbers:-

- Model Number - ST-NCP-AS Addressable call point (No Back Box)
- Computer Reference - F16N*81300
- Model Number - BACKBOX
- Computer Reference - F16N*73004

- Model Number - ST-NCP-ASWP (inc WP Back Box)
- Computer Reference - F16N*81310

Protocol:-

- Communication Protocol - NISM/WFM/02 (Nittan AS Protocol)
- Communication Speed - Approx. 2500 bit/sec.
- Address Setting - 8 bits (presettable)
- Typy Identification Data - 2 bits (fixed)

Ratings:-

- Switch rating - Single pole change-over switch, gold contacts.
- Voltage - 24V dc +/- 10%
- Quiescent Current Consumption - 300µamps (standby)
- Operating Alarm Current Consumption - 4mA (fire-with LED on) @ 24V.
- Output Signal Current - Nominal 40mA (high level). Max 50mA.
- NO. Of Wires - 2 wires
- Functions - Analogue data, Type data, Fire test, LED on, Reset
- Operating Temperature - -10 deg. C. to +50 deg. C.
- Storage Temperature - -25 deg. C. to +85 deg. C.
- IP Rating - IP67 (ST-NCP-ASWP Only).

Document No:

NISM/STNCP/03

Date :

APRIL 2001

*From world leaders in **SENSOR TECHNOLOGY**
comes **SENORTEC.....***

**ST-NCP-AS STANDARD &
ST-NCP-ASWP WEATHERPROOF
'AS' PROTOCOL ADDRESSABLE
MANUAL CALL POINT
INSTRUCTION MANUAL**

NITTAN (UK) LTD



Quality System Certificate No. 041
Assessed to BS EN ISO 9002

NITTAN (UK) LTD.

Hiple Street
Old Woking
Surrey
England
GU22 9LQ
United Kingdom

Tel: +44 (0) 1483 769555
Fax: +44 (0) 1483 756686
E-mail: sales@nittan.co.uk
Web Site: www.nittan.co.uk